

# Installation

## Slide-in bracket





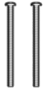

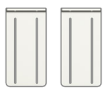


Video

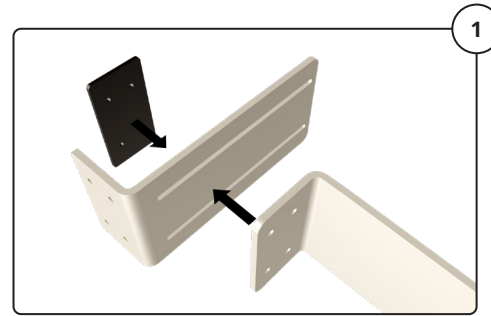


You can watch the installation videos here.

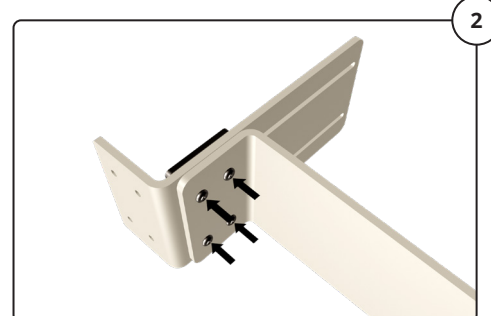
[www.airzag.eu/installation](http://www.airzag.eu/installation)

### Required material:

 1x AIRZAG packaging	 1x AIRZAG	<b>AIRZAG</b>
 2x Threaded plate (silver)	 6x Screws (M3x8)	
 2x Screws (M3x45)		
 2x Holding plate	 2x Bracket	
 2x Threaded plate	 8x Screw (M3x10)	



Slide the threaded plate (silver) and the retaining plate onto the bracket. (x2)



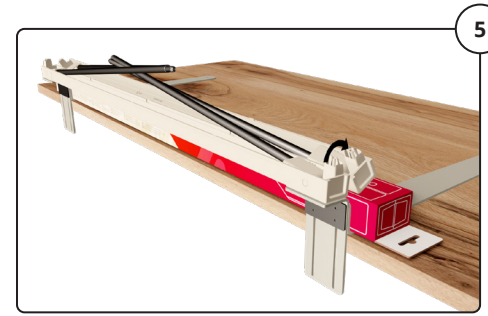
Screw in the screws (M3x10), but do not tighten them yet. (x2)



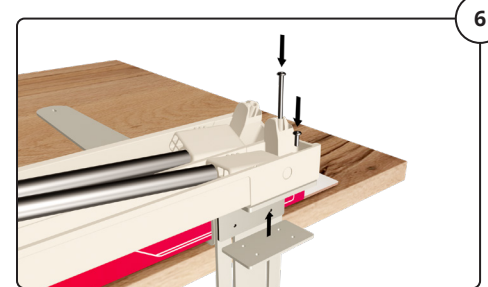
Place it on a table.



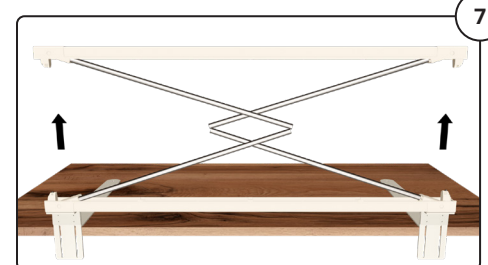
Use AIRZAG packaging as an aid.



Place the AIRZAG and open it. Make sure that the screw holes match.



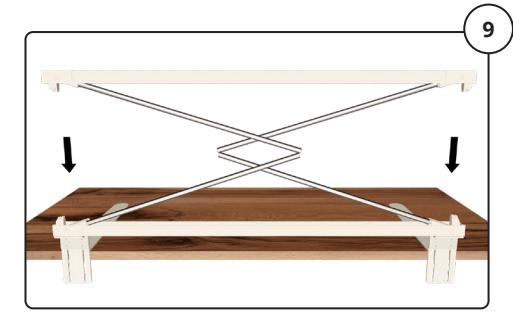
Tighten the outer screws (M3x8 and M3x45) while pressing the threaded plate from below (on both sides).



Open AIRZAG.



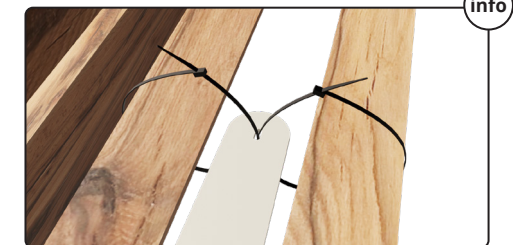
Tighten the inner screws (M3x8) (on both sides).



Close AIRZAG again.



Place at the edge of the bed and adjust the height of the angle. The visible screws can now be tightened.



Fasten with cable ties if necessary.



Put the mattress back on the bed.

 **Your AIRZAG can now be used.**

# Instructions

## Slide-in bracket

Dear Customer,  
With your purchase of an AIRZAG duvet aerator, you have chosen an innovative product from 4INVENTIONS. We have used only high quality and recyclable materials for this product and guarantee you the best quality.

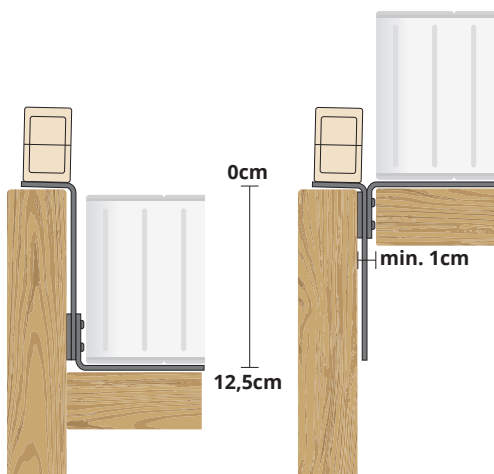
With kind regards,  
4INVENTIONS GmbH

### Areas of use:

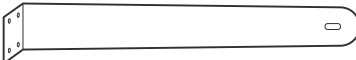
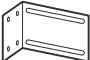




The bracket is suitable for beds in which the mattress is lowered into the bed frame with a certain depth. It is only used to mount the „AIRZAG“ duvet aerator on a bed frame. No permanent connection to the bed frame is necessary. The weight of the mattress is sufficient to hold the bracket in place. Due to the adjustability, the Slide-in bracket can be used with almost all common bed frames with an inlet depth (max. 12.5 cm).

### Adjustable:


Infinitely adjustable from 0 - 12.5cm




### Package contents

- **2 x Retaining plate**  

- **2 x Brackets**  

- **2 x Threaded plate**  

- **8 x Screw M3x10**  

- **4x cable ties**  

- **1 x Instruction manual**  


### Important information

 **Do not use any aggressive cleaning products.** Wipe off only with a damp cloth and a little soap. Avoid strong rubbing, as it might damage the polished surfaces.

 **Not a toy!** Not suitable for children under 6 years of age.

Do not use the Slide-in bracket outside of the intended area of use (see areas of use).

Do not over-tighten screws. Tighten them with care! **Screwdriver not included!**  
Please use a Phillips screwdriver size PH1.

You can find further information at  
[www.airzag.eu](http://www.airzag.eu)

### Warranty

The warranty provided by the manufacturer only applies in the event of original defects that are due to faults on the manufacturer's part. Warranty claims do not apply for damage resulting from improper use of the Slide-in bracket, nor is the manufacturer liable for such use. Examples of such cases would be: destruction of the Slide-in bracket by overloading, incorrect cleaning or personal injury caused by incorrect use.

**Please read the entire instruction manual carefully.**

### Further information and support

Quality & Design by Tecnoservice LH GmbH  
Dr.J.Köllenspergerstraße 8  
39011 Lana / Italy  
[www.4inventions.eu](http://www.4inventions.eu)  
Made in Italy by Tecnoservice LH GmbH

**Mail:** [support@4inventions.eu](mailto:support@4inventions.eu)  
**Tel.** 0039 0473 86 06 08

AIRZAG® is Patented and all Trademarks are owned by Tecnoservice LH GmbH and Associates. All Rights reserved.

**Installation videos and FAQ's at:**  
[www.airzag.eu](http://www.airzag.eu)

